

User manual

AGRETO Weighing Feet



Content

1	Introduction.....	2
2	Scope of delivery	2
3	Intended use.....	3
4	Security	3
4.1	Safety Instructions for the buyer	3
4.2	Safety instructions for the operator	3
4.3	Residual Hazards.....	4
5	Technical Specifications.....	5
6	Basics for the correct functioning.....	6
7	Construction of the scale structure.....	6
8	Mounting the Agreto weighing feet.....	7
9	6-port connector	8
10	Connecting the Weighing Indicator	8
11	Troubleshooting.....	9
12	Warranty	10
13	Disposal.....	10
14	Declaration of Conformity.....	11
15	Imprint.....	12

1 Introduction

Thank you for choosing Agreto weighing feet. You have acquired a robust product for daily practice.

Please read this manual carefully before using the scale in operation.

In this manual, as usual "weight" is used in common parlance, the term for the mass.

2 Scope of delivery

- 3 or 4 weighing feet (depending on version)
- 1 6-port connector
- 6 m connection cable to the display
- 1 manual

3 Intended use

The Agreto weighing feet can be used universally, can be combined with each weighing indicator and are also suitable for use in damp areas such as stables.

The weighing feet aren't officially calibratable and therefore not authorized to determine weights for legal transactions. The scale is used as a checkweigher for internal use.

4 Security

4.1 Safety Instructions for the buyer



IMPORTANT!

Make sure that each person who works for the first time with the AGRETO weighing feet, has read and understood this manual.

4.2 Safety instructions for the operator



DANGER!

The AGRETO weighing feet may only be operated by persons who are familiar with the operation of the device.



PRECAUTION!

Keep the work area clean! Soiled areas contributes to accidents.



PRECAUTION!

Note the crushing for the establishment and handling with a weighing platform.



PRECAUTION!

Note the risk of injury from stumbling and inattention while the assembly, disassembly, and adjustment operations.



For persons who are engaged in the assembly, dismantling or adjustments, the wearing of safety shoes are required.



For persons who are engaged in the assembly, dismantling or adjustments, the wearing of protective gloves is mandatory.

4.3 Residual Hazards

Working with the device residual risks may arise for persons and objects that cannot be prevented by design or technical protection measures.



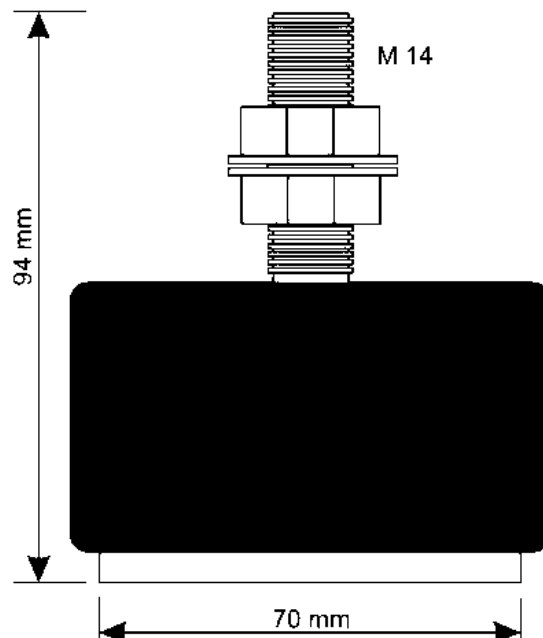
WARNING!

The AGRETO weighing feet must not be operated in explosive areas.

5 Technical Specifications

Nominal load:	1.000 /2.000 kg per load cell (depending on version)
Secure overload:	150 %, breaking load 300 %
Working temperature:	-35 to +70 °C
Temperature compensated range:	-10 to +40 °C
Power supply:	5 to 15 Volt DC
Resistance:	350 Ohm
Signal:	2mV/V
Cable length:	3m
Accuracy:	+ / - 1%

The load cells are mounted in a rubber-coated base construction with load introduction and can be easily installed without any additional construction.



6 Basics for the correct functioning

The weighing feet must be flat and horizontally placed or installed. The Agreto weighing feet have an adjustment thread and a counter nut to help you align the weighing platform accordingly. Ensure that the weighing platform is free and is not contacting a wall or a stop.

7 Construction of the scale structure

If the Agreto weighing feet are not installed under an existing platform, form tubes are best suitable for the construction of a weighing platform. In livestock farming steel structures with a running tread of wood have proven as very suitable (wood makes no noise and is not as slippery as sheet metal).

The steel structure should be chosen so that the weighing platform is deformed as little as possible and the load is introduced into the weighing feet vertically over all load ranges. Please also note that the weight of the weighing platform reduces the maximum load of your scale. Assemble the weighing feet as much as possible to the edge of your weighing platform to prevent a tipping (risk of injury, risk of overload).

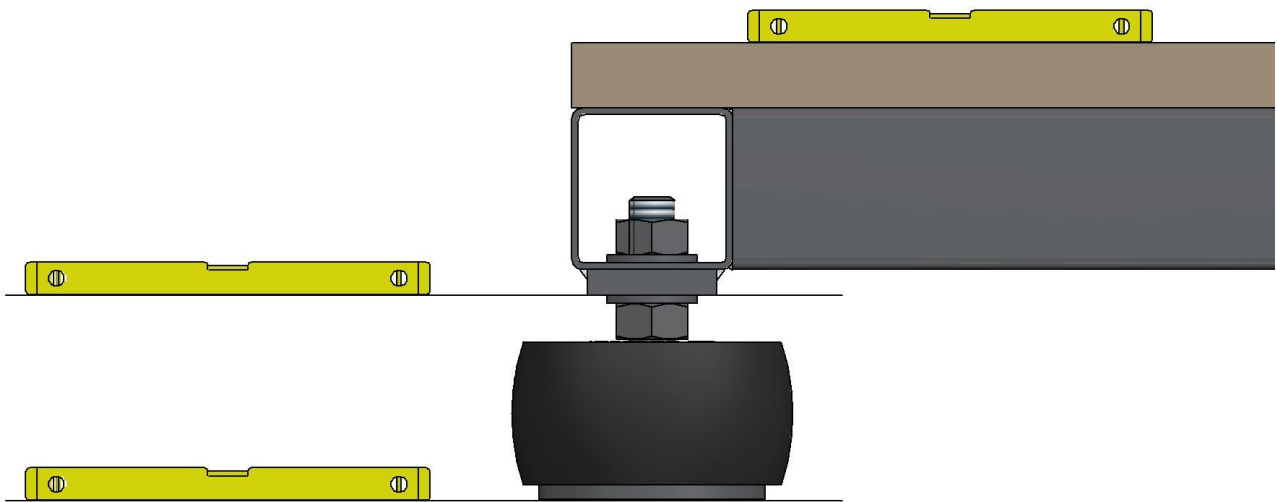
For mounting the AGRETO weighing feet under a silo or feed mixer, it is necessary that an exact horizontal plate is provided or welded on the bottom of the container feet. A hole is drilled in this plate and the foot is screwed on.

The 6port connector should be mounted as high as possible in a safe place. Make sure that the cables are neatly routed. In a cable damage the entire load cell must be replaced.

8 Mounting the Agreto weighing feet

Your weighing platform should have on every corner a hole with 14 mm each. The area around the hole should be reinforced to prevent deformation of the weighing platform. Adjust the weighing platform with the thread of the weighing feet until the weighing platform is horizontal and does not wobble. Secure the weighing feet with the locknut.

Example for installation of the weighing foot in a frame construction:



9 6-port connector

The 6-port connector connects the weighing feet with the indicator. Please tighten the connectors just with hand. Keep unused ports closed with caps.



10 Connecting the Weighing Indicator

If you use an Agreto weighing indicator, the right plug has been installed to the connection cable and you just need to connect to the weighing indicator. The Agreto weighing indicator comes with a separate user manual, where you can read about the operation of the scale.

If you use a different weighing indicator you can find the pin assignment below:

Cable No.	Cable colour (if existing)	Marking
1	Black	EX - (power supply - minus)
2	Red	EX + (power supply - plus)
3	White	SI - (signal - minus)
4	Green	SI + (signal - plus)

11 Troubleshooting

To determine whether the platform design is suitable and the scale weighs properly you should sequentially load each corner and then the center of the weighing platform with 100 kg.

If there are deviations exceeding 2 kg this can have the following reasons:

- One or more weighing feet are not firmly on the ground, possibly the platform is even tipping. -> Adjust with the leveling screws the height of the weighing feet.
- One or more weighing feet standing on a not exactly horizontal, firm ground. -> You may change the location of the scale or put steel plates under the feet.
- The weighing platform deflects and thus creates side forces on the weighing feet. -> reinforcing (or reduce the size of) the weighing platform.
- The scale construction is somewhere in contact with a wall or another object. -> Place the scales so, that no part of the scale construction is somewhere in contact with another object.
- The scale construction is somewhere contacting the floor, possibly due to contamination. -> Make sure that the entire scale construction stands exclusively with the weighing feet on the ground.
- One or more cables are damaged. -> look for the corner, at which a wrong weight is displayed and check the appropriate cable. If there is a damage to the cable, the affected cable, including load cell must be replaced.
- There is moisture in the 6-port connector -> Open the connectors, and dry all connectors gently with a hair dryer for about 15 minutes.
- Are all the points listed above excluded is one or more load cells defect. -> Please contact the manufacturer.

12 Warranty

Over and above statutory warranty following warranty provisions apply:

- The AGRETO electronics GmbH guarantees the function and repairs or replaces all the parts that have a material or manufacturing damage within the warranty period.
- Warranty services will be performed by the AGRETO electronics GmbH.
- The decision on the existence of a warranty claim is sole responsibility of the AGRETO electronics GmbH.
- The warranty period begins with the first accounting to an end customer and ends 5 years from this date of invoice.
- Prerequisite for warranty service are the presentation of the original invoice and compliance with all elements of this instruction manual.
- Excluded from warranty are wear, normal wear and tear, damage due to misuse, negligence or accident.
- When processing a warranty claim transport costs incurred will be charged to the buyer.

13 Disposal



Dispose the product in the definitive shutdown or parts of environmentally friendly (metal to the respective metal scrap, plastic to plastic waste, etc. - Do not dispose as household waste!)

Detailed information can be found in Directive 2002/96/EC

14 Declaration of Conformity



EC Declaration of Conformity

For the following named product

AGRETO Weighing Feet

This is to confirm that it complies with the essential protection requirements of Council Directive on the approximation of the laws of Member States relating to electromagnetic compatibility (2004/108/EC) and scales (2009/23/EG).

For the evaluation regarding electromagnetic compatibility, the following standards were applied:

EN 61000-6-3 :2001
2011/05/EU:
(RoHS2.0)

This explanation is given by the manufacturer

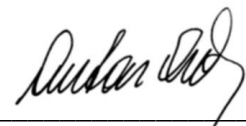
AGRETO electronics GmbH
Mogersdorf 17
8382 Mogersdorf
Austria

Submitted by:

Anton Eder
Business Manager

Pommersdorf

19.03.2014



rechtsgültige Unterschrift

15 Imprint

All information, specifications and illustrations are as of 2022, subject to technical changes or design changes.

All information in this manual are supplied without liability despite careful preparation. A liability by the author is excluded.

Copyright © 2022, AGRETO electronics GmbH

AGRETO electronics GmbH
Mogersdorf 17
A-8382 Mogersdorf

Tel.: +43 3325 20920 0

Mail: office@agreto.com

Internet: www.agreto.com