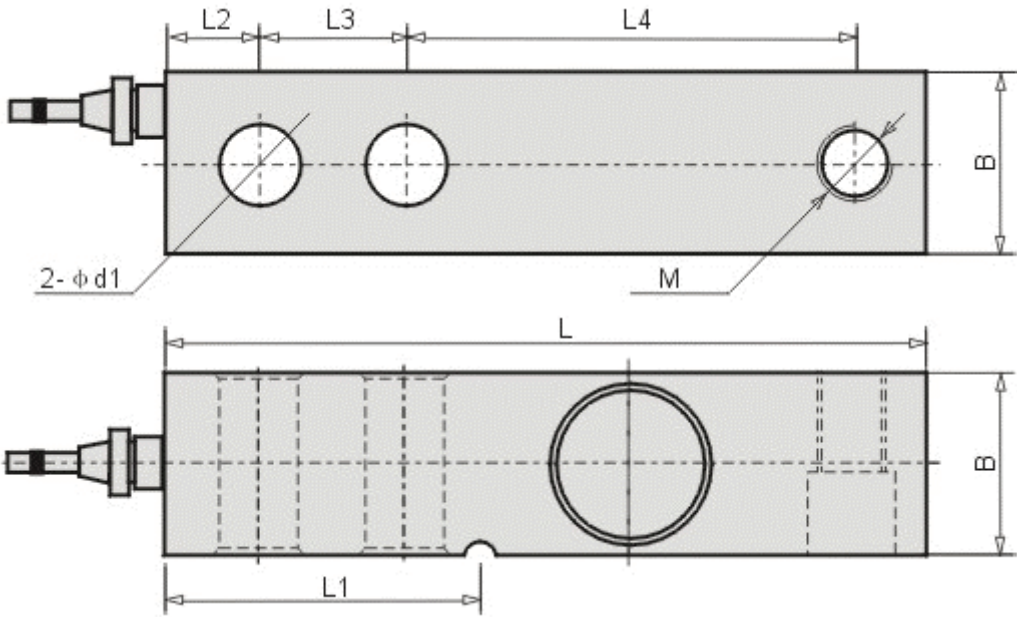


DIMENSIONS(mm):



Load	L	L1	L2	L3	L4	d	B	M
1.5~4(klb) 0.5~2(t)	130	56.5	15.8	25.4	76.2	13.5	31.8	M16x2
5~15(klb) 2.5~5(t)	171.5	77.2	19.1	38.1	95.3	20	38.1	M20x2.5
20(klb) 10(t)	222.3	101.6	25.4	50.8	120.7	26.2	50.8	M24x2